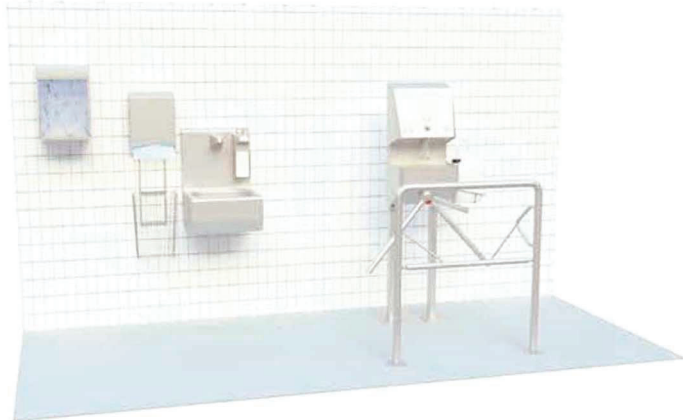


# ITEC®

## FRONTMATEC

By **Fortifi**

### Mano Control type 23745 / 23746



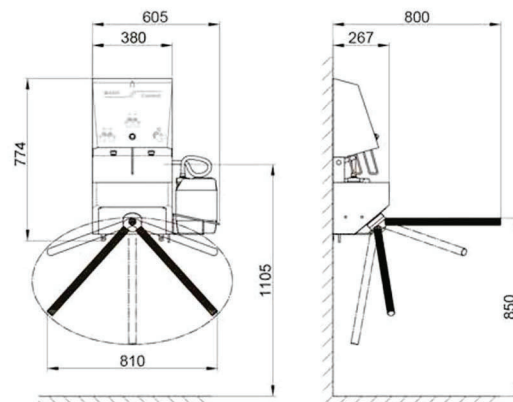
Example sluice

## Safe hand disinfection with controlled access release

The Mano Control enables safe and contactless removal of disinfectant with subsequent passage clearance. Hand disinfection is necessary when personnel, visitors etc. move from normal areas to sensitive rooms with increased or high hygiene requirements.

### Version

- 2 Hand disinfection via specially arranged nozzles
- Access clearance by motor-driven turnstile after hand disinfection, visualized by LEDs red-green
- 5 l chemical storage with suction lance
- Durable, low-maintenance, motor-driven turnstile with various adjustment options
- Connection for card reader
- Left- and right-hand version available
- Combinable with ITEC hygiene station type 23876-800
- Alternatively available as soap dispenser type 23746



### Technical data

Type	23745 / 23746
Power supply	230V, N / PE
Network frequency	50 Hz
Nominal power	0.3 kW
Control voltage	24V DC
Protective device	IP65

Technical data may subject to changes